



# PRODUCTS CATALOG

ELECTRICAL ENCLOSURES & MODULAR CABINETS



# 20

[exmweb.com](http://exmweb.com)

## SMALL SINGLE DOOR WEATHERPROOF ENCLOSURES

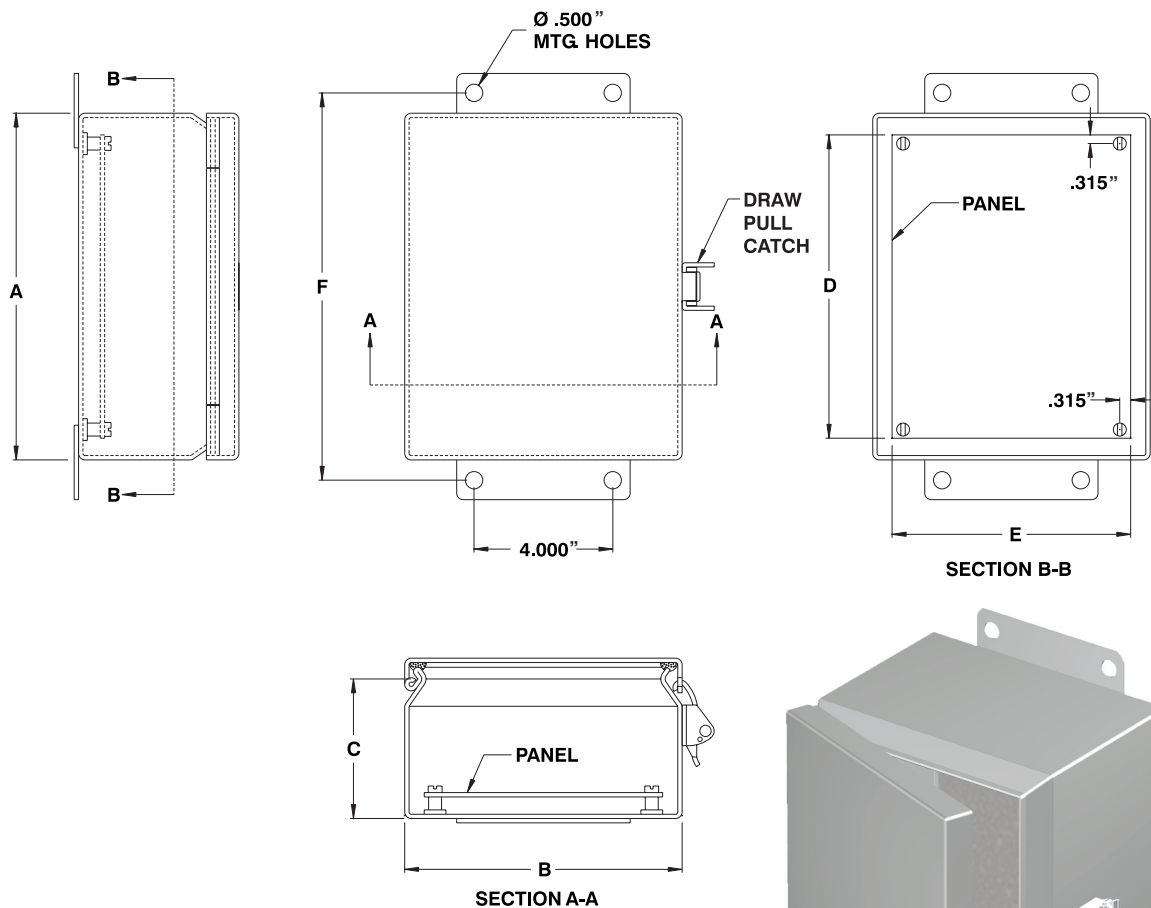
The **5300 ESCH** are used in outdoor installations or indoors where dripping water is a problem. The 5300 ESCH are made of high quality 16 GA steel, with continuously welded corner seams. The opening has a curled lip around all sides to increase rigidity and prevent dripping water from entering the enclosure when the door is open. A high quality, robotically poured-in-place, seamless gasket ensures a complete and durable water tight seal.

The enclosures feature die cast hinges, which are bound to the cover by an exclusive concealed hinge pin system. The covers are interchangeable and can be removed by unfastening the anti-vibration lock nuts. The doors are secured with padlockable draw pull catches. **Each enclosure comes complete with a 14 GA galvanized inner panel**, which mounts on M6 weld nuts. Four external mounting holes are provided. Enclosures are finished

with heat fused powder paint, electrostatically applied on a pre-treated base. Box is ANSI/ASA 61 smooth gray, inner panel is galvanized (other colors available).

**CSA Certified / UL Listed  
NEMA/EEMAC 3 / IP64**

Refer to p.708 to validate choice of substrate for the application



CATALOG NUMBER	DIMENSIONS						SHIP WGT LBS.
	A	B	C	D	E	F	
5300 ESCH060604	6	6	4	4.88	4.88	7.125	5
5300 ESCH080604	8	6	4	6.88	4.88	9.125	6
5300 ESCH080806	8	8	6	6.88	6.88	9.125	8
5300 ESCH100806	10	8	6	8.88	6.88	11.125	10
5300 ESCH121006	12	10	6	10.88	8.88	13.125	12
5300 ESCH121207	12	12	7	10.88	10.88	13.125	15



p.502

